



Mikron Valve and Manufacturer Inc.

(A subsidiary of PSB Industries, Inc)
 1282 West 12th Street
 Erie, PA 16501
 Phone (814) 453-2337
 Fax (814) 452-6371
 Email: quote@mikronvalve.com
www.mikronvalve.com

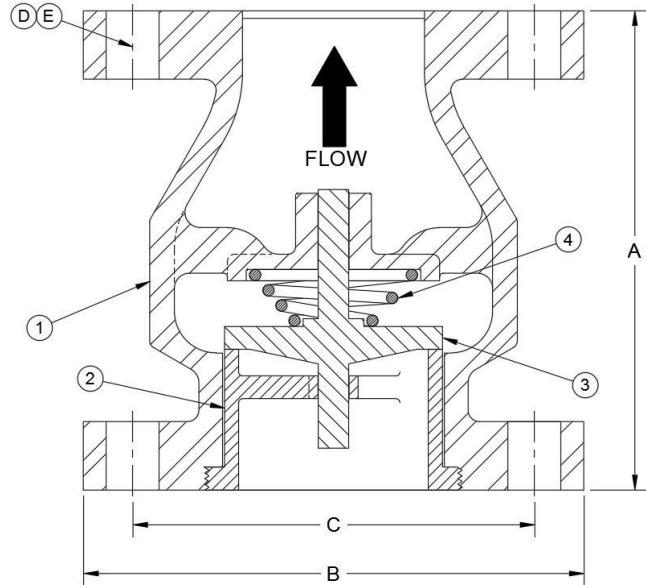
CHECK VALVE Ø1 THRU Ø24 CLASS 125

SPECIFICATIONS:

- SHOCK PROOF
- CENTER GUIDED DISC
- DESIGNED TO MSS SP-125
- FACE TO FACE PER MSS SP-126
- FLANGES TO ASME B16.1
- LAPPED METAL SEATS(SOFT SEATS OPTIONAL)

MATERIAL LIST

1	BODY	ASTM A395
2	RING	BRONZE
3	DISC	BRONZE
4	SPRING	SST



SIZE	A FACE TO FACE	B FLANGE Ø	C BOLT CIRCLE Ø	D QTY OF BOLTS	E BOLT Ø	WEIGHT (LBS)
1"	4-1/2	4-1/4	3-1/8	4	1/2	6
1-1/4"	5	4-5/8	3-1/2	4	1/2	9
1-1/2"	5-3/4	5	3-7/8	4	1/2	12
2"	6-1/4	6	4-3/4	4	5/8	19
2-1/2"	7	7	5-1/2	4	5/8	27
3"	7-1/2	7-1/2	6	4	5/8	35
4"	8-1/2	9	7-1/2	8	5/8	55
5"	9-1/2	10	8-1/2	8	3/4	75
6"	10	11	9-1/2	8	3/4	100
8"	12	13-1/2	11-3/4	8	3/4	165
10"	14	16	14-1/4	12	7/8	245
12"	18	19	17	12	7/8	440
14"	21	21	18-3/4	16	1	625
16"	22-1/4	23-1/2	21-1/4	16	1	895
18"	24	25	22-3/4	16	1-1/8	1050
20"	24	27-1/2	25	20	1-1/8	1435
24"	28	32	29-1/2	20	1-1/4	2250

CF – CONTACT FACTORY