



Mikron Valve and Manufacturer Inc.

(A subsidiary of PSB Industries, Inc)
 1282 West 12th Street
 Erie, PA 16501
 Phone (814) 453-2337
 Fax (814) 452-6371
 Email: quote@mikronvalve.com
www.mikronvalve.com

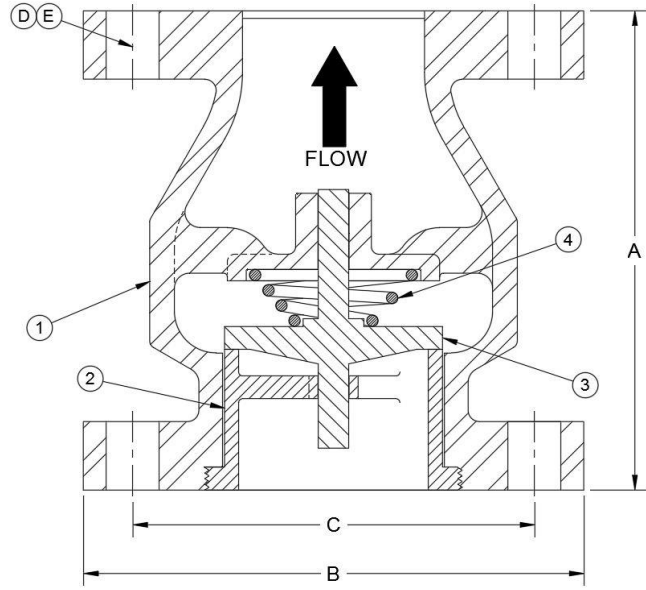
CHECK VALVE Ø2 THRU Ø24 CLASS 2500

SPECIFICATIONS:

- SHOCK PROOF
- CENTER GUIDED DISC
- DESIGNED TO MSS SP-125
- FACE TO FACE PER MSS SP-126
- FLANGES TO ASME B16.1
- LAPPED METAL SEATS(SOFT SEATS OPTIONAL)

MATERIAL LIST

1	BODY	A216 WCB, A351 CF8M
2	RING	316 SST
3	DISC	316 SST
4	SPRING	316 SST



SIZE	A FACE TO FACE	B FLANGE Ø	C BOLT CIRCLE Ø	D QTY OF BOLTS	E BOLT Ø	WEIGHT (LBS)
2"	9 ¼	9 1/4	6 ¾	8	1	65
3"	14	12	9	8	1 ¼	125
4"	15 ½	14	10 ¾	8	1 ½	223
6"	CF	CF	CF	CF	CF	CF
8"	CF	CF	CF	CF	CF	CF
10"	CF	CF	CF	CF	CF	CF
12"	CF	CF	CF	CF	CF	CF
14"	CF	CF	CF	CF	CF	CF
16"	CF	CF	CF	CF	CF	CF
18"	CF	CF	CF	CF	CF	CF
20"	CF	CF	CF	CF	CF	CF
24"	CF	CF	CF	CF	CF	CF

CF – CONTACT FACTORY