



Mikron Valve and Manufacturer Inc.

(A subsidiary of PSB Industries, Inc)
 1282 West 12th Street
 Erie, PA 16501
 Phone (814) 453-2337
 Fax (814) 452-6371
 Email: quote@mikronvalve.com
www.mikronvalve.com

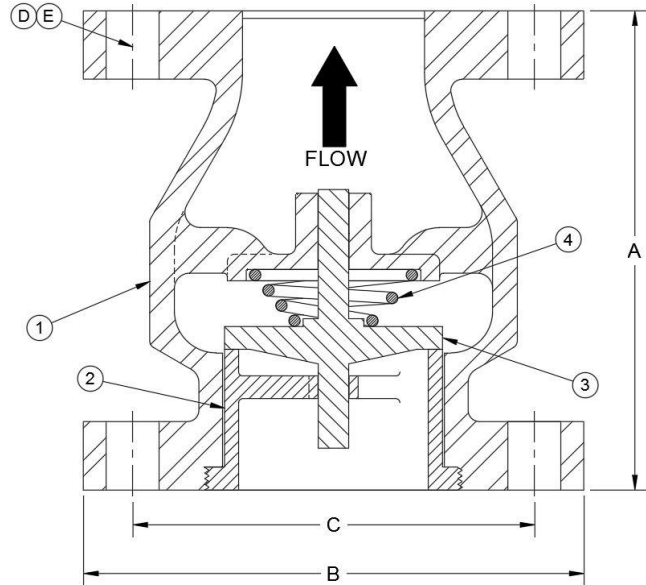
CHECK VALVE Ø1 THRU Ø24 CLASS 300

SPECIFICATIONS:

- SHOCK PROOF
- CENTER GUIDED DISC
- DESIGNED TO MSS SP-125
- FACE TO FACE PER MSS SP-126
- FLANGES TO ASME B16.1
- LAPPED METAL SEATS(SOFT SEATS OPTIONAL)

MATERIAL LIST

1	BODY	A216 WCB, A351 CF8M
2	RING	316 SST
3	DISC	316 SST
4	SPRING	316 SST



SIZE	A FACE TO FACE	B FLANGE Ø	C BOLT CIRCLE Ø	D QTY OF BOLTS	E BOLT Ø	WEIGHT (LBS)
1"	4 ¾	4 7/8	3 ½	4	5/8	10
1-1/4"	5 ¼	5 ¼	3 7/8	4	5/8	12
1-1/2"	6	6 1/8	4 ½	4	¾	17
2"	6 ½	6 ½	5	8	5/8	23
2-1/2"	7 ¼	7 ½	5 7/8	8	¾	31
3"	7 7/8	8 ¼	6 5/8	8	¾	44
4"	9 1/8	10	7 7/8	8	¾	75
5"	10 3/8	11	9 ¼	8	¾	98
6"	11	12 ½	10 5/8	12	¾	135
8"	13	15	13	12	7/8	225
10"	15 3/8	17 ½	15 ¼	16	1	335
12"	19 ½	20 ½	17 ¾	16	1 1/8	600
14"	23	23	20 ¼	20	1 1/8	800
16"	24	25 ½	22 ½	20	1 ¼	1154
18"	26	28	24 3/4	24	1 ¼	1125
20"	24	30 ½	27	24	1 ¼	1775
24"	28	36	32	24	1 ½	2600