



Mikron Valve and Manufacturer Inc.

(A subsidiary of PSB Industries, Inc)
 1282 West 12th Street
 Erie, PA 16501
 Phone (814) 453-2337
 Fax (814) 452-6371
 Email: quote@mikronvalve.com
www.mikronvalve.com

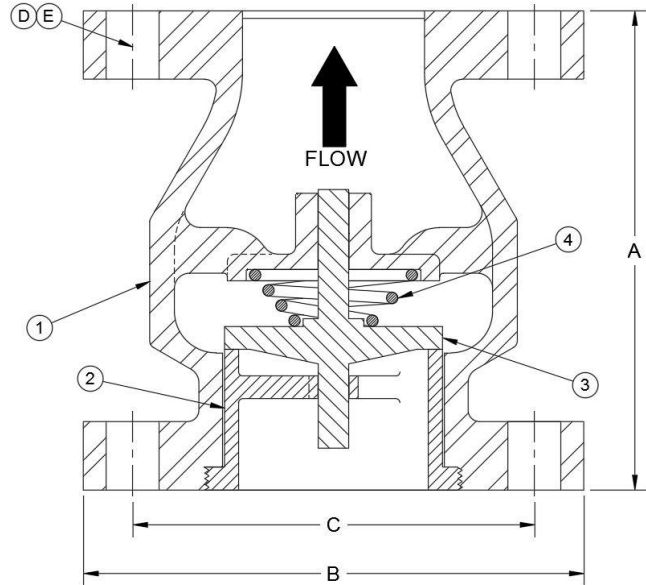
CHECK VALVE Ø1-1/2 THRU Ø24 CLASS 900

SPECIFICATIONS:

- SHOCK PROOF
- CENTER GUIDED DISC
- DESIGNED TO MSS SP-125
- FACE TO FACE PER MSS SP-126
- FLANGES TO ASME B16.1
- LAPPED METAL SEATS(SOFT SEATS OPTIONAL)

MATERIAL LIST

| | | |
|---|--------|---------------------|
| 1 | BODY | A216 WCB, A351 CF8M |
| 2 | RING | 316 SST |
| 3 | DISC | 316 SST |
| 4 | SPRING | 316 SST |



| SIZE | A FACE TO FACE | B FLANGE Ø | C BOLT CIRCLE Ø | D QTY OF BOLTS | E BOLT Ø | WEIGHT (LBS) |
|--------|-------------------|---------------|--------------------|-------------------|-------------|-----------------|
| 1-1/2" | 7 3/8 | 7 | 4 7/8 | 4 | 1 | 22 |
| 2" | 8 ¼ | 8 ½ | 6 ½ | 8 | 7/8 | 38 |
| 2-1/2" | 9 | 9 5/8 | 7 ½ | 8 | 1 | 42 |
| 3" | 9 1/8 | 9 ½ | 7 ½ | 8 | 7/8 | 73 |
| 4" | 10 5/8 | 11 ½ | 9 ¼ | 8 | 1 1/8 | 124 |
| 6" | 13 | 15 | 12 ½ | 12 | 1 1/8 | 265 |
| 8" | 15 ¼ | 18 ½ | 15 ½ | 12 | 1 3/8 | 465 |
| 10" | 17 5/8 | 21 ½ | 18 ½ | 16 | 1 3/8 | 575 |
| 12" | CF | CF | CF | CF | CF | CF |
| 14" | CF | CF | CF | CF | CF | CF |
| 16" | CF | CF | CF | CF | CF | CF |
| 18" | CF | CF | CF | CF | CF | CF |
| 20" | CF | CF | CF | CF | CF | CF |
| 24" | CF | CF | CF | CF | CF | CF |

CF – CONTACT FACTORY