



**Mikron Valve and Manufacturer Inc.**

(A subsidiary of PSB Industries, Inc)  
 1282 West 12<sup>th</sup> Street  
 Erie, PA 16501  
 Phone (814) 453-2337  
 Fax (814) 452-6371  
 Email: [quote@mikronvalve.com](mailto:quote@mikronvalve.com)  
[www.mikronvalve.com](http://www.mikronvalve.com)

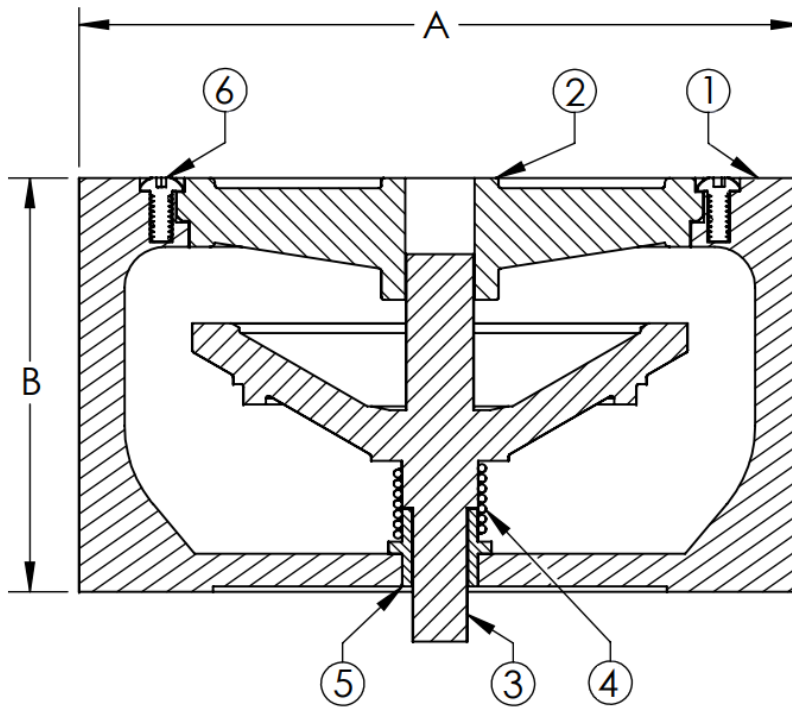
**WAFER CHECK VALVE Ø2" TO Ø10" 125- 250**

**SPECIFICATIONS:**

- CENTER GUIDED DISC
- COMPLIES WITH MSS SP-125
- SHOCK PROOF
- VERTICAL OR HORIZONTAL

*MATERIAL LIST*

1	<b>BODY</b>	<b>CAST IRON</b>
2	<b>RING</b>	<b>SST</b>
3	<b>DISC</b>	<b>SST</b>
4	<b>SPRING</b>	<b>SST</b>
5	<b>BUSHING</b>	<b>SST</b>
6	<b>SCREW</b>	<b>SST</b>



SIZE	A OUTSIDE Ø	B FACE TO FACE	QTY OF BOLTS	BOLT Ø	WEIGHT (LBS)
2"	4-1/4	2-5/8	4	5/8	5
2-1/2"	5	2-7/8	4	5/8	8
3"	5-3/4	3-1/8	4	5/8	11
4"	7	4	8	5/8	18
5"	8-3/8	4-3/4	8	3/4	27
6"	9-3/4	5-1/2	8	3/4	29
8"	13-3/8	6-1/2	8	3/4	86
10"	16	8-1/4	12	7/8	129