



**Mikron Valve and Manufacturer Inc.**

(A subsidiary of PSB Industries, Inc)  
 1282 West 12<sup>th</sup> Street  
 Erie, PA 16501  
 Phone (814) 453-2337  
 Fax (814) 452-6371  
 Email: quote@mikronvalve.com  
[www.mikronvalve.com](http://www.mikronvalve.com)

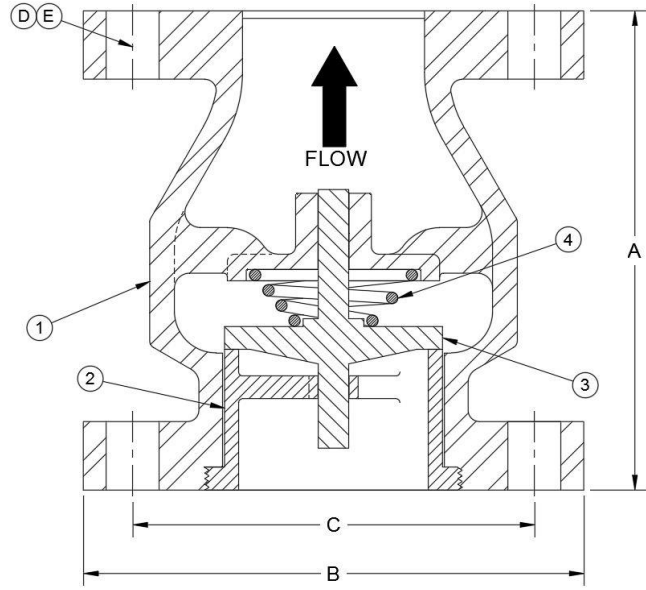
**CHECK VALVE Ø1 THRU Ø24 CLASS 250**

**SPECIFICATIONS:**

- SHOCK PROOF
- CENTER GUIDED DISC
- DESIGNED TO MSS SP-125
- FACE TO FACE PER MSS SP-126
- FLANGES TO ASME B16.1
- LAPPED METAL SEATS(SOFT SEATS OPTIONAL)

*MATERIAL LIST*

1	BODY	ASTM A395
2	RING	BRONZE
3	DISC	BRONZE
4	SPRING	SST



SIZE	A FACE TO FACE	B FLANGE Ø	C BOLT CIRCLE Ø	D QTY OF BOLTS	E BOLT Ø	WEIGHT (LBS)
1"	4 ¾	4 7/8	3 ½	4	5/8	12
1-1/4"	5 ¼	5 ¼	3 7/8	4	5/8	11
1-1/2"	6	6 1/8	4 ¼	4	¾	16
2"	6 ½	6 ½	5	8	5/8	22
2-1/2"	7 ¼	7 ½	5 7/8	8	¾	29
3"	7 7/8	8 ¼	6 5/8	8	¾	41
4"	9 1/8	10	7 7/8	8	¾	70
5"	10 3/8	11	9 ¼	8	¾	95
6"	11	12 ½	10 5/8	12	¾	130
8"	13	15	13	12	7/8	210
10"	15 3/8	17 ½	15 1/4	16	1	320
12"	19 ½	20 ½	17 ¾	16	1 1/8	585
14"	23	23	20 3/4	20	1 1/8	812
16"	24	25 ½	22 1/4	20	1 ¼	1000
18"	26	28	24 3/4	24	1 ¼	1275
20"	24	30 ½	27	24	1 ¼	1550
24"	28	36	32	24	1 ½	2480

CF – CONTACT FACTORY